



SAFETY VALVE

MANUAL AND SOLENOID OPERATED

Edition. 21.0

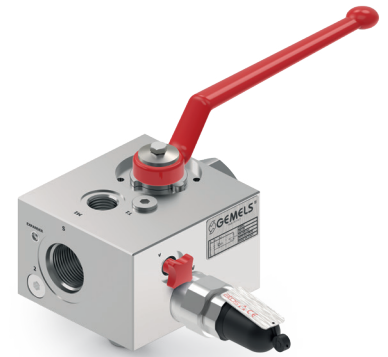
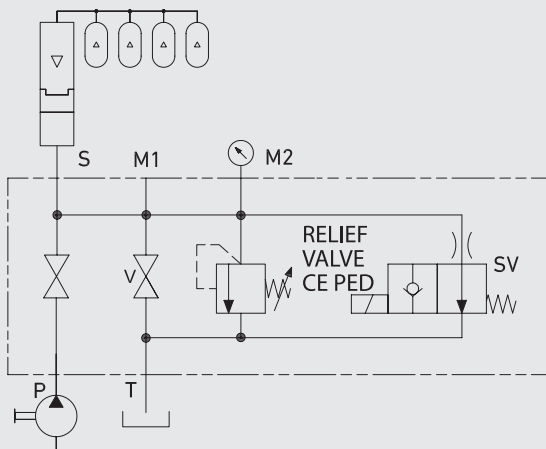
CS Carbon Steel



The **safety valve** is a hydraulic isolation and discharge block with safety functions designed for hydraulic accumulators. The block consists of at least three fundamental components.

1. The **main valve** is a **ball-type valve (BV)**, responsible for intercepting and isolating the accumulator from the hydraulic system.
2. The **safety component** is an **automatic relief valve**, pre-set to the required pressure.
3. The **manual discharge system** is operated through a **needle valve (V)**, allowing fluid drainage.
4. An **optional component** is the **solenoid valve (SV)**, which enables remote fluid discharge.

All models are equipped with a **direct-operated relief valve**, which discharges fluid in case of an abnormal pressure increase. As a safety component, it is **certified, calibrated, and CE-marked** in compliance with the **European Pressure Equipment Directive (PED) 2014/68/EU**. For safety reasons, it is essential to install the **safety valve block** as close as possible to the accumulators. The safety valve fully meets all **safety requirements outlined in Annex I** of the **PED 2014/68/EU directive**.


SCHEME EXAMPLE APPLICATION

FEATURES

Ambient temperature

Manual operated:

-20°C + 90°C

-4°F + 32°F

Manual and solenoid operated:

-20°C + 60°C

-4°F + 16°F

Fluid viscosity range: 10 - 40cSt

Relief valve: Certification CE 2014/68/EU

Threads: BSP, NPT, SAE J1926

Mounting position: Any position

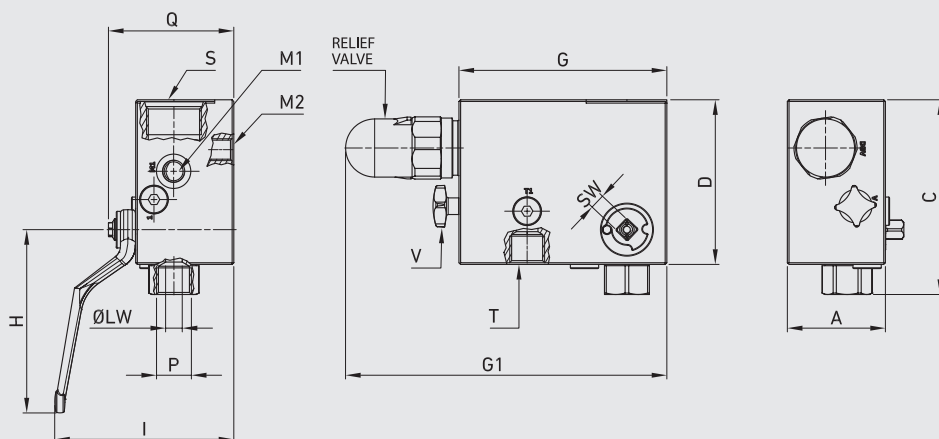
Material: Carbon Steel phosphate

Option with solenoid valve power supply:

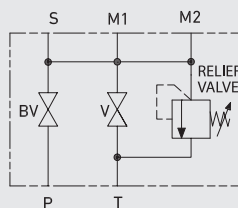
24VDC, 105VDC, 110V, 220V, P=18W

MANUAL OPERATED

PG00296

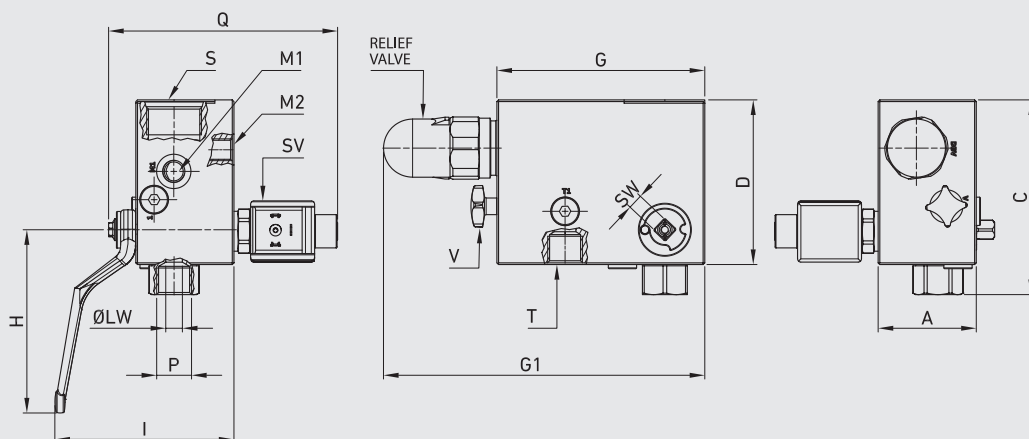


MANUAL OPERATED

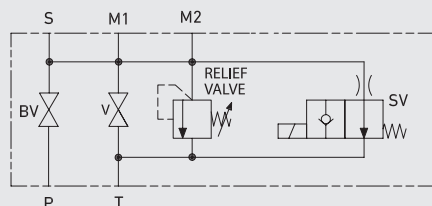


SAFETY VALVE MANUAL OPERATED

TYPE / ITEM CODE	DN	PN	A	C	D	G	G1	H	I	Q	SW	ØLW	P	M1	M2	T	S	
PG00296	10	Mpa 42	mm	59	117	99	125	193	110	108	75	9	10	G3/8	G1/4	G1/4	G1/2	M33x2
		Psi 6090	inch	2,32	4,61	3,90	4,92	7,60	4,33	4,25	2,95	0,35	0,39					
PG00325	10	Mpa 42	mm	59	117	99	125	193	110	108	75	9	10	N3/8	N1/4	N1/4	N1/2	M33x2
		Psi 6090	inch	2,32	4,61	3,90	4,92	7,60	4,33	4,25	2,95	0,35	0,39					
PG00326	10	Mpa 42	mm	59	117	99	125	193	110	108	75	9	10	SAE6 9/16-18 UNF	SAE4 7/16-20 UNF	SAE4 7/16-20 UNF	SAE8 3/4-16 UNF	M33x2
		Psi 6090	inch	2,32	4,61	3,90	4,92	7,60	4,33	4,25	2,95	0,35	0,39					

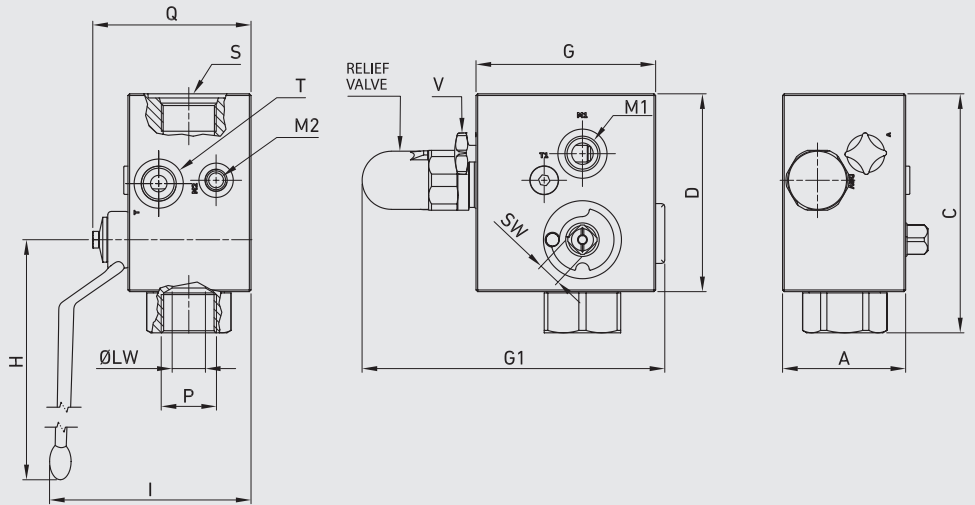


MANUAL AND SOLENOID OPERATED

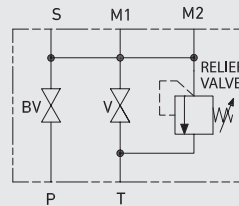

MANUAL AND SOLENOID OPERATED
PG00305
SAFETY VALVE MANUAL AND SOLENOID OPERATED

TYPE / ITEM CODE	DN	PN	A	C	D	G	G1	H	I	Q	SW	ØLW	P	M1	M2	T	S	
PG00305	10	Mpa 42	mm	59	117	99	125	193	110	117	137	9	10	G3/8	G1/4	G1/4	G1/2	M33x2
		Psi 6090	inch	2,32	4,61	3,90	4,92	7,60	4,33	4,61	5,39	0,35	0,39					
PG00331	10	Mpa 42	mm	59	117	99	125	193	110	117	137	9	10	N3/8	N1/4	N1/4	N1/2	M33x2
		Psi 6090	inch	2,32	4,61	3,90	4,92	7,60	4,33	4,61	5,39	0,35	0,39					
PG00332	10	Mpa 42	mm	59	117	99	125	193	110	117	137	9	10	SAE6 9/16-18	SAE4 7/16-20	SAE4 7/16-20	SAE8 3/4-16	M33x2
		Psi 6090	inch	2,32	4,61	3,90	4,92	7,60	4,33	4,61	5,39	0,35	0,39					

MANUAL OPERATED
PG00297

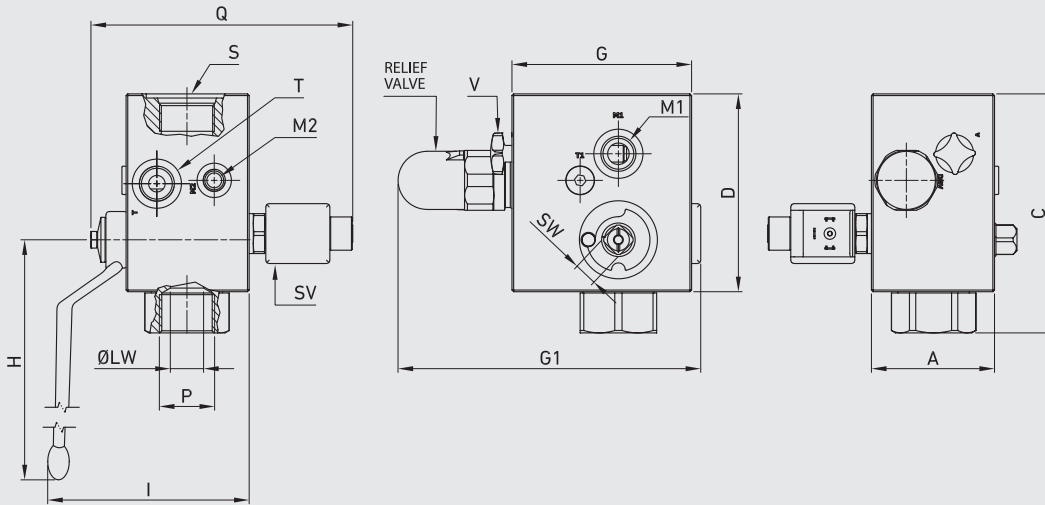
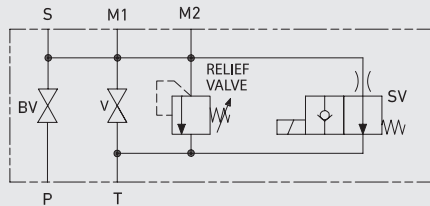


MANUAL OPERATED



SAFETY VALVE MANUAL OPERATED

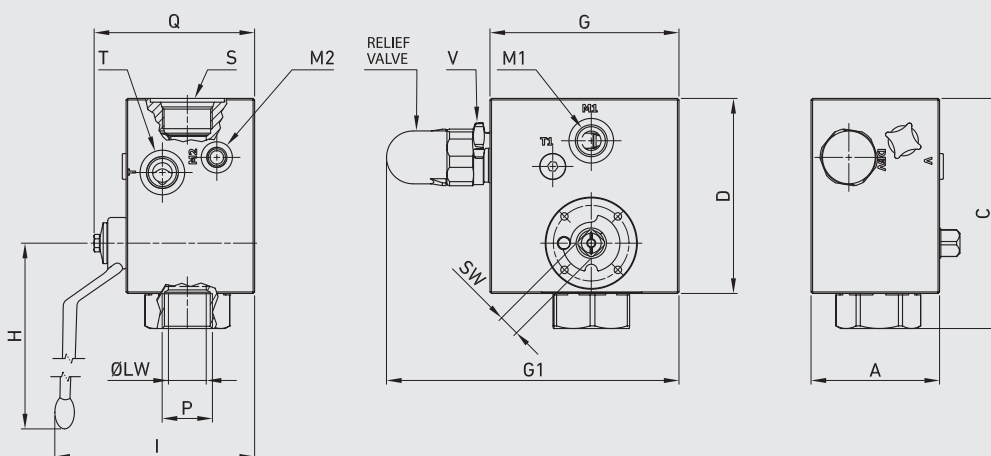
TYPE / ITEM CODE	DN	PN	A	C	D	G	G1	H	I	Q	SW	ØLW	P	M1	M2	T	S	
PG00297	20	Mpa 42	mm	74	144	119	108	182	200	121	95	14	20	G1	G1/2	G1/4	G1/2	M33x2
		Psi 6090	inch	2,91	5,67	4,69	4,25	7,17	7,87	4,76	3,74	0,55	0,79					
PG00327	20	Mpa 42	mm	74	144	119	108	182	200	121	95	14	20	N1	N1/2	N1/4	N1/2	M33x2
		Psi 6090	inch	2,91	5,67	4,69	4,25	7,17	7,87	4,76	3,74	0,55	0,79					
PG00328	20	Mpa 42	mm	74	144	119	108	182	200	121	95	14	20	SAE16	SAE8	SAE4	SAE8	M33x2
		Psi 6090	inch	2,91	5,67	4,69	4,25	7,17	7,87	4,76	3,74	0,55	0,79	1-5/16-12 UN	3/4-16 UNF	7/16-20 UNF	3/4-16 UNF	


MANUAL AND SOLENOID OPERATED
PG00306
MANUAL AND SOLENOID OPERATED

SAFETY VALVE MANUAL AND SOLENOID OPERATED

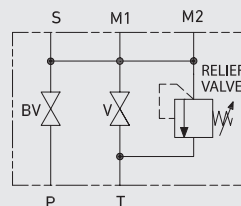
TYPE / ITEM CODE	DN	PN	A	C	D	G	G1	H	I	Q	SW	ØLW	P	M1	M2	T	S	
PG00306	20	Mpa 42	mm	74	144	119	108	182	200	121	157	14	20	G1	G1/2	G1/4	G1/2	M33x2
		Psi 6090	inch	2,91	5,67	4,69	4,25	7,17	7,87	4,76	6,18	0,55	0,79					
PG00333	20	Mpa 42	mm	74	144	119	108	182	200	121	157	14	20	N1	N1/2	N1/4	N1/2	M33x2
		Psi 6090	inch	2,91	5,67	4,69	4,25	7,17	7,87	4,76	6,18	0,55	0,79					
PG00334	20	Mpa 42	mm	74	144	119	108	182	200	121	157	14	20	SAE16	SAE8	SAE4	SAE8	M33x2
		Psi 6090	inch	2,91	5,67	4,69	4,25	7,17	7,87	4,76	6,18	0,55	0,79	1-5/16-12 UN	3/4-16 UNF	7/16-20 UNF	3/4-16 UNF	

MANUAL OPERATED

PG00344

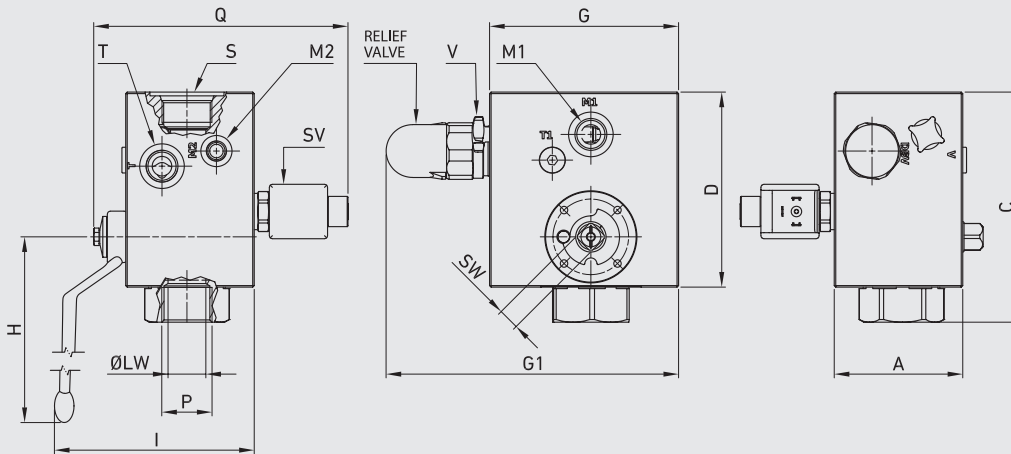
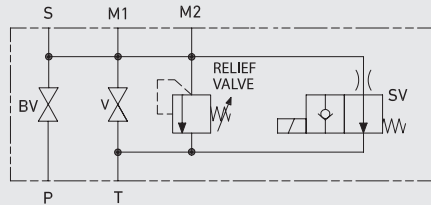


MANUAL OPERATED



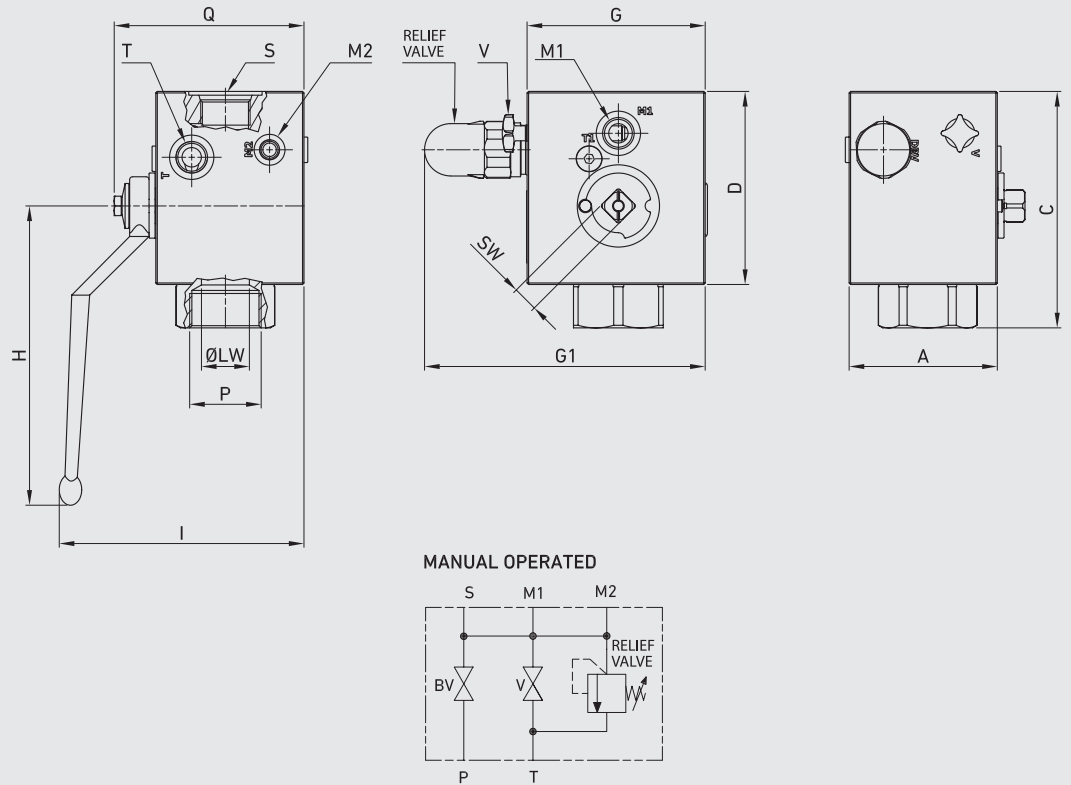
SAFETY VALVE MANUAL OPERATED

TYPE / ITEM CODE	DN	PN	A	C	D	G	G1	H	I	Q	SW	ØLW	P	M1	M2	T	S	
PG00344	25	MPa 420	mm	87	152	129	119	187,5	200	132	106	14	25	G1	G1/2	G1/4	G1/2	M33x2
		Psi 6090	inch	3,43	5,98	5,08	4,69	7,38	7,87	5,20	4,17	0,55	0,98					
PG00350	25	MPa 420	mm	87	152	129	119	187,5	200	132	106	14	25	N1	N1/2	N1/4	N1/2	M33x2
		Psi 6090	inch	3,43	5,98	5,08	4,69	7,38	7,87	5,20	4,17	0,55	0,98					
PG00351	25	MPa 420	mm	87	152	129	119	187,5	200	132	106	14	25	SAE16	SAE8	SAE4	SAE8	M33x2
		Psi 6090	inch	3,43	5,98	5,08	4,69	7,38	7,87	5,20	4,17	0,55	0,98	1-5/16-12 UN	3/4-16 UNF	7/16-20 UNF	3/4-16 UNF	


MANUAL AND SOLENOID OPERATED
PG00351
MANUAL AND SOLENOID OPERATED

SAFETY VALVE MANUAL AND SOLENOID OPERATED

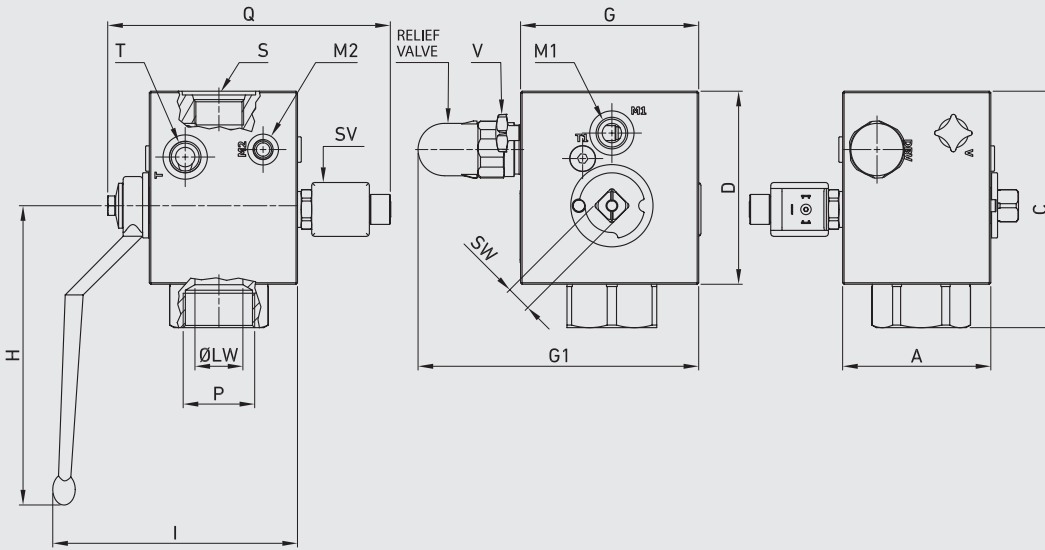
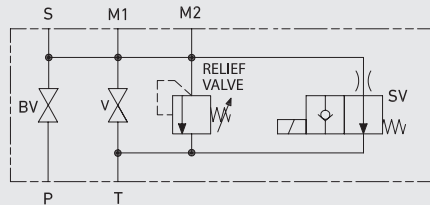
TYPE / ITEM CODE	DN	PN	A	C	D	G	G1	H	I	Q	SW	ØLW	P	M1	M2	T	S	
PG00351	25	MPa 420	mm	87	152	129	119	187,5	200	132	168	14	25	G1	G1/2	G1/4	G1/2	M33x2
		Psi 6090	inch	3,43	5,98	5,08	4,69	7,38	7,87	5,20	6,61	0,55	0,98					
PG00352	25	MPa 420	mm	87	152	129	119	187,5	200	132	168	14	25	N1	N1/2	N1/4	N1/2	M33x2
		Psi 6090	inch	3,43	5,98	5,08	4,69	7,38	7,87	5,20	6,61	0,55	0,98					
PG00353	25	MPa 420	mm	87	152	129	119	187,5	200	132	168	14	25	SAE16 1-5/16- 12 UN	SAE8 3/4-16 UNF	SAE4 7/16-20 UNF	SAE8 3/4-16 UNF	M33x2
		Psi 6090	inch	3,43	5,98	5,08	4,69	7,38	7,87	5,20	6,61	0,55	0,98					

MANUAL OPERATED
PG00298

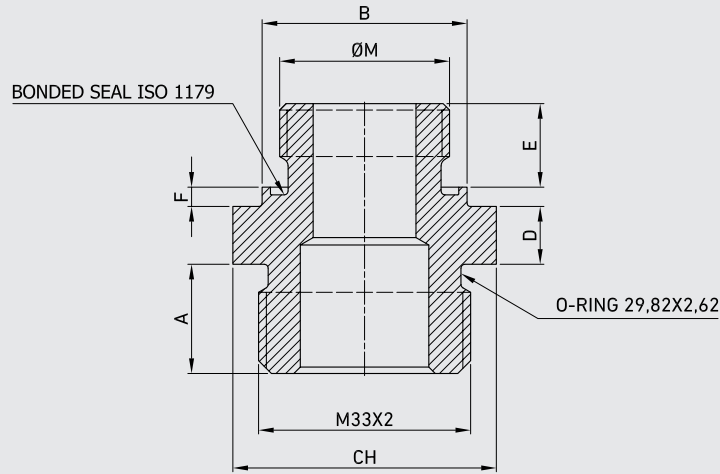


SAFETY VALVE MANUAL OPERATED

TYPE / ITEM CODE	DN	PN	A	C	D	G	G1	H	I	Q	SW	ØLW	P	M1	M2	T	S	
PG00298	32	Mpa 42	mm	99	158	129	119	187,5	200	165,5	127	17	32	G1 1/2	G1/2	G1/4	G1/2	M33x2
		Psi 6090	inch	3,90	6,22	5,08	4,69	7,38	7,87	6,52	5,00	0,67	1,26					
PG00329	32	Mpa 42	mm	99	158	129	119	187,5	200	165,5	127	17	32	N1 1/2	N1/2	N1/4	N1/2	M33x2
		Psi 6090	inch	3,90	6,22	5,08	4,69	7,38	7,87	6,52	5,00	0,67	1,26					
PG00330	32	Mpa 42	mm	99	158	129	119	187,5	200	165,5	127	17	32	SAE24 1-7/8-12	SAE8 3/4-16 UNF	SAE4 7/16-20 UNF	SAE8 3/4-16 UNF	M33x2
		Psi 6090	inch	3,90	6,22	5,08	4,69	7,38	7,87	6,52	5,00	0,67	1,26					

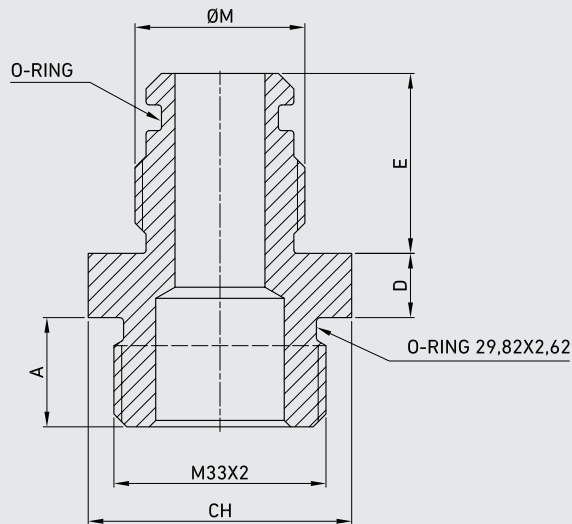

MANUAL AND SOLENOID OPERATED
PG00307
MANUAL AND SOLENOID OPERATED

SAFETY VALVE MANUAL AND SOLENOID OPERATED

TYPE / ITEM CODE	DN	PN	A	C	D	G	G1	H	I	Q	SW	ØLW	P	M1	M2	T	S	
PG00307	32	Mpa 42	mm	99	158	129	119	187,5	200	165,5	189	17	32	G1 1/2	G1/2	G1/4	G1/2	M33x2
		Psi 6090	inch	3,90	6,22	5,08	4,69	7,38	7,87	6,52	7,44	0,67	1,26					
PG00335	32	Mpa 42	mm	99	158	129	119	187,5	200	165,5	189	17	32	N1 1/2	N1/2	N1/4	N1/2	M33x2
		Psi 6090	inch	3,90	6,22	5,08	4,69	7,38	7,87	6,52	7,44	0,67	1,26					
PG00336	32	Mpa 42	mm	99	158	129	119	187,5	200	165,5	189	17	32	SAE24 1-7/8-12	SAE8 3/4-16 UNF	SAE4 7/16-20 UNF	SAE8 3/4-16 UNF	M33x2
		Psi 6090	inch	3,90	6,22	5,08	4,69	7,38	7,87	6,52	7,44	0,67	1,26					



STANDARD / HIGH PRESSURE BLADDER ACCUMULATORS, THREAD CONNECTION

TYPE / ITEM CODE	M		A	B	CH	D	E	F	ØM	ITEM CODE
FITTING SAEFTY VALVE BONDED SEAL 1/2 G	33X2	mm	17	26,9	41	9	11	3	1/2 BSP	KAAA00229
		inch	0,67	1,06	1,61	0,35	0,43	0,12		
FITTING SAEFTY VALVE BONDED SEAL 3/4 G	33X2	mm	17	31,9	41	9	13	3	3/4 BSP	KAAA00230
		inch	0,67	1,26	1,61	0,35	0,51	0,12		
FITTING SAEFTY VALVE BONDED SEAL 1 G	33X2	mm	17	39,9	45	10	15	3	1 BSP	KAAA00231
		inch	0,67	1,57	1,77	0,39	0,59	0,12		
FITTING SAEFTY VALVE BONDED SEAL 1 1/4 G	33X2	mm	17	49,9	55	10	17	3	1 1/4 BSP	KAAA00232
		inch	0,67	1,96	2,17	0,39	0,67	0,12		
FITTING SAEFTY VALVE BONDED SEAL 2 G	33X2	mm	17	74,9	80	11,5	24	3,5	2 BSP	KAAA00233
		inch	0,67	2,95	3,15	0,45	0,94	0,14		


STANDARD / HIGH PRESSURE BLADDER ACCUMULATORS, THREAD CONNECTION

TYPE / ITEM CODE	M	A	CH	D	E	$\varnothing M$	O-RING	ITEM CODE
FITTING SAEFTY VALVE 3/4 G + O-RINGS	mm	17	41	10	28	3/4 BSP	17,86X2,62	KAAA00234
	inch	0,67	1,61	0,39	1,10			
FITTING SAEFTY VALVE 1 G + O-RINGS	mm	17	55	13	34	1 BSP	23,82X2,62	KAAA00235
	inch	0,67	2,17	0,51	1,34			
FITTING SAEFTY VALVE 1 1/4 G + O-RINGS	mm	17	55	13	37	1 1/4 BSP	31,42X2,62	KAAA00236
	inch	0,67	2,17	0,51	1,46			
FITTING SAEFTY VALVE 2 G + O-RINGS	mm	17	70	15	44	2 BSP	48,89X2,62	KAAA00237
	inch	0,67	2,76	0,59	1,73			