



DBB

DOUBLE BLOCK AND BLEED

Edition. 21.0

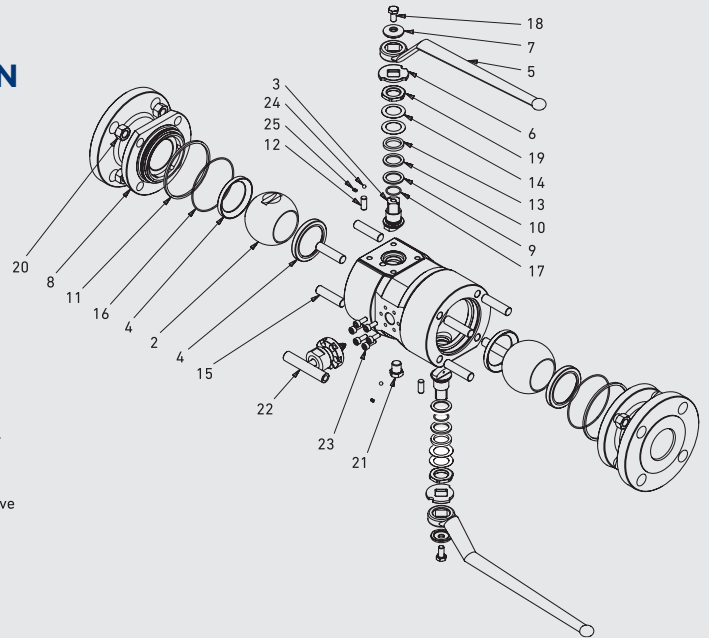
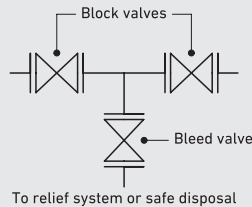
CS Carbon Steel

- Treatment: Paint protection

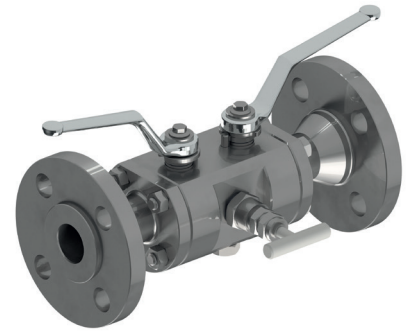
SS Stainless Steel

- **CS, SS, DSS, ALLOY (Forged)**
- Type: ball valve Double Block and Bleed
- Sizes: from DN13 up to DN200
- Pressure: ANSI 150-2500
- Temperature: from -50° up to +200° (depending on materials selected)

STANDARD COMPOSITION OF VALVE

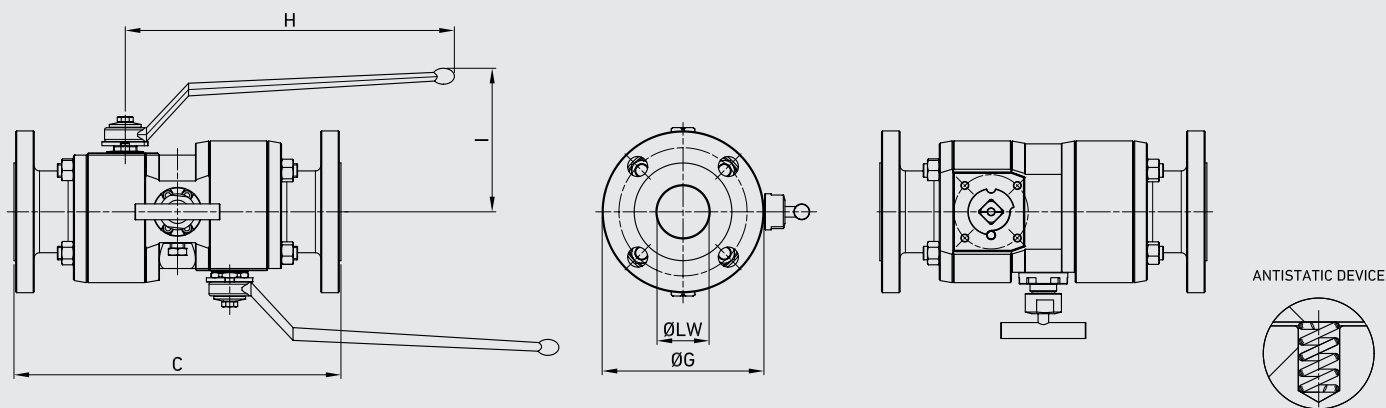


POS	DESCRIPTION	Q.TY	CS	SS	POS	DESCRIPTION	Q.TY	CS	SS
			Carbon Steel	Stainless Steel				Carbon Steel	Stainless Steel
			MATERIAL					MATERIAL	
1	Body	1	ASTM A350 LF2	ASTMA479Tp.316	13	Stem ring	2	AISI 316	AISI 316
2	Ball	2	ASTM A479 Tp.316	ASTMA479Tp.316	14	Spring	4	AISI 316	AISI 316
3	Stem	2	ASTM A479 Tp.316	ASTMA479Tp.316	15	Bolts	8	ASTM A320 L7M	ASTMA193B8M CL2
4	Ball seat	4	RPTFE	RPTFE	16	O-ring	2	FKM	FKM
5	Handle	2	Fe37	Fe37	17	O-ring	2	FKM	FKM
6	Washer	2	AISI 316	AISI 316	18	Screw	2	ISO 4017 A4	ISO 4017 A4
7	Washer	2	AISI 316	AISI 316	19	Nut	2	AISI 316	AISI 316
8	Flange	2	ASTM A350 LF2	ASTMA479Tp.316	20	Nut	8	ASTM A194 Gr.7M	ASTM A194 Gr.8M
9	Stem ring	2	PTFE	PTFE	21	Plug	1	AISI 316	AISI 316
10	Stem ring	2	Graphite	Graphite	22	Bleeder bonnet	1	AISI 316	AISI 316
11	Flange ring	2	Graphite	Graphite	23	Spring	2	AISI 316	AISI 316
12	Pin	2	AISI 316	AISI 316	24	Antistatic ball	2	AISI 316	AISI 316



CODE DESCRIPTION STRUCTURE

DBB	ANSI600	2"	DN50	FB	LF2	F316	RPTFE	FKM	RF
<p>Type and way of valve _____ DBB Double block and bleed</p> <p>Valves dimension of pressure (LBS) _____ ANSI150 ANSI300 ANSI600 ANSI900 ANSI1500 ANSI2500</p> <p>Sizes _____ from 1/2" to 8"</p> <p>Sizes _____ from DN13 to DN200</p> <p>Bore _____ FB full bore RB reduce bore</p> <p>Body material _____ ● A105* LF2 ● F316</p> <p>Stem material _____ ● F316 A105* LF2* F51* ● F316 F51*</p> <p>Ball seat material _____ RPTFE PEEK* POM* DEVLON* MET-TO-MET*</p> <p>Adapter and stem seal material _____ FKM NBR* EPDM* MVQ*</p> <p>Flanged _____ RF RTJ* BW* FF*</p>									



DBB 150 FB

TYPE	INCH	PN	ØLW	ØLW1	C RF	C RTJ	ØG	H	I
FLOATING	1/2	MPa 2	mm 13	-	194,4	214,2	90	225	110
		Psi 290	inch 0,51	-	7,65	8,43	3,54	8,86	4,33
FLOATING	3/4	MPa 2	mm 20	-	210,6	234	100	228	112
		Psi 290	inch 0,79	-	8,29	9,21	3,94	8,98	4,41
FLOATING	1	MPa 2	mm 25	-	228,6	252	110	233	116
		Psi 290	inch 0,98	-	9,00	9,92	4,33	9,17	4,57
FLOATING	1 1/2	MPa 2	mm 38	-	297	320,4	125	305	135
		Psi 290	inch 1,50	-	11,69	12,61	4,92	12,01	5,31
FLOATING	2	MPa 2	mm 49	-	320,4	343,8	150	310	145
		Psi 290	inch 1,93	-	12,61	13,54	5,91	12,20	5,71
FLOATING	3	MPa 2	mm 74	-	365,4	388,8	190	520	190
		Psi 290	inch 2,91	-	14,39	15,31	7,48	20,47	7,48
FLOATING	4	MPa 2	mm 95	-	412,2	435,6	230	535	210
		Psi 290	inch 3,74	-	16,23	17,15	9,06	21,06	8,27
FLOATING	6	MPa 2	mm 150	-	709,2	732,6	280	-	250
		Psi 290	inch 5,91	-	27,92	28,84	11,02	-	9,84
TRUNNION	8	MPa 2	mm 201	-	822,6	846	345	-	280
		Psi 290	inch 7,91	-	32,39	33,31	13,58	-	11,02
TRUNNION	10	MPa 2	mm 252	-	-	-	-	-	-
		Psi 290	inch 9,92	-	-	-	-	-	-

DBB 150 RB

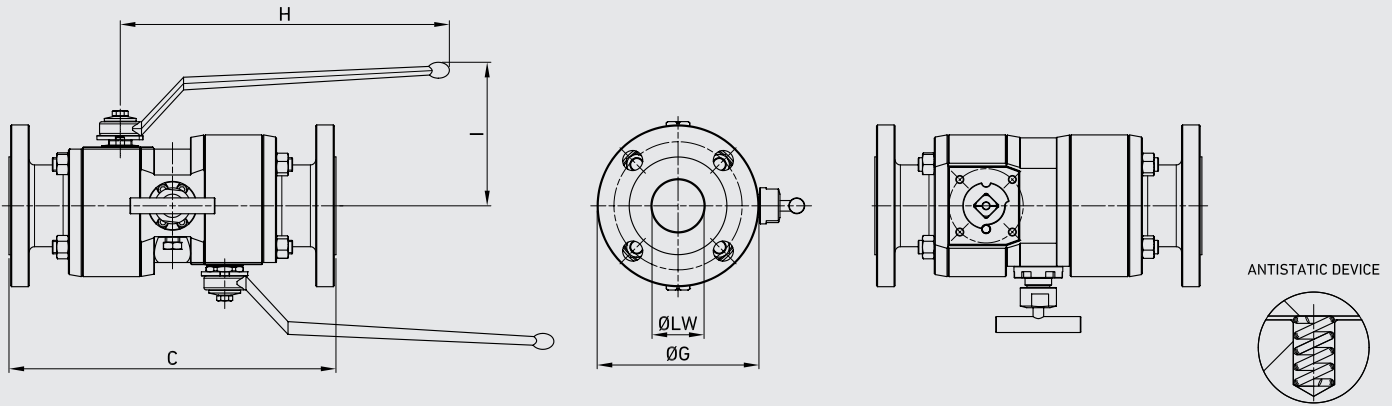
TYPE	INCH	PN	ØLW	ØLW1	C RF	C RTJ	ØG	H	I
FLOATING	3/4 x 1/2	MPa 2	mm 13	20	210,6	234	100	225	110
		Psi 290	inch 0,51	0,79	8,29	9,21	3,94	8,86	4,33
FLOATING	1 x 3/4	MPa 2	mm 20	25	228,6	252	110	228	112
		Psi 290	inch 0,79	0,98	9,00	9,92	4,33	8,98	4,41
FLOATING	1 1/2 x 1	MPa 2	mm 25	38	297	320,4	125	233	116
		Psi 290	inch 0,98	1,50	11,69	12,61	4,92	9,17	4,57
FLOATING	2 x 1 1/2	MPa 2	mm 38	49	320,4	343,8	150	305	135
		Psi 290	inch 1,50	1,93	12,61	13,54	5,91	12,01	5,31
FLOATING	3x2	MPa 2	mm 49	74	365,4	388,8	190	310	145
		Psi 290	inch 1,93	2,91	14,39	15,31	7,48	12,20	5,71
FLOATING	4x3	MPa 2	mm 74	95	412,2	435,6	230	520	190
		Psi 290	inch 2,91	3,74	16,23	17,15	9,06	20,47	7,48
FLOATING	6x4	MPa 2	mm 95	150	709,2	732,6	280	535	210
		Psi 290	inch 3,74	5,91	27,92	28,84	11,02	21,06	8,27
FLOATING	8x6	MPa 2	mm 150	201	822,6	846	345	870	250
		Psi 290	inch 5,91	7,91	32,39	33,31	13,58	34,25	9,84

DBB 300 FB

TYPE	INCH	PN	ØLW	ØLW1	CRF	CRTJ	ØG	H	I
FLOATING	1/2	MPa 5	mm 13	-	252	271,8	95	225	110
		Psi 725	inch 0,51	-	9,92	10,70	3,74	8,86	4,33
FLOATING	3/4	MPa 5	mm 20	-	273,6	297	115	228	112
		Psi 725	inch 0,79	-	10,77	11,69	4,53	8,98	4,41
FLOATING	1	MPa 5	mm 25	-	297	320,4	125	233	116
		Psi 725	inch 0,98	-	11,69	12,61	4,92	9,17	4,57
FLOATING	1 1/2	MPa 5	mm 38	-	343,8	365,4	155	305	135
		Psi 725	inch 1,50	-	13,54	14,39	6,10	12,01	5,31
FLOATING	2	MPa 5	mm 49	-	388,8	417,6	165	310	145
		Psi 725	inch 1,93	-	15,31	16,44	6,50	12,20	5,71
FLOATING	3	MPa 5	mm 74	-	509,4	538,2	210	520	190
		Psi 725	inch 2,91	-	20,06	21,19	8,27	20,47	7,48
FLOATING	4	MPa 5	mm 95	-	549	577,8	255	535	210
		Psi 725	inch 3,74	-	21,61	22,75	10,04	21,06	8,27
FLOATING	6	MPa 5	mm 150	-	725,4	754,2	320	-	250
		Psi 725	inch 5,91	-	28,56	29,69	12,60	-	9,84
TRUNNION	8	MPa 5	mm 201	-	903,6	932,4	380	-	280
		Psi 725	inch 7,91	-	35,57	36,71	14,96	-	11,02
TRUNNION	10	MPa 5	mm 252	-	1022,4	1051,2	445	-	-
		Psi 725	inch 9,92	-	40,25	41,39	17,52	-	-

DBB 300 RB

TYPE	INCH	PN	ØLW	ØLW1	CRF	CRTJ	ØG	H	I
FLOATING	3/4 x 1/2	MPa 5	mm 13	20	273,6	297	115	225	110
		Psi 725	inch 0,51	0,79	10,77	11,69	4,53	8,86	4,33
FLOATING	1 x 3/4	MPa 5	mm 20	25	297	267	125	228	112
		Psi 725	inch 0,79	0,98	11,69	10,51	4,92	8,98	4,41
FLOATING	1 1/2 x 1	MPa 5	mm 25	38	343,8	365,4	155	233	116
		Psi 725	inch 0,98	1,50	13,54	14,39	6,10	9,17	4,57
FLOATING	2 x 1 1/2	MPa 5	mm 38	49	388,8	417,6	165	305	135
		Psi 725	inch 1,50	1,93	15,31	16,44	6,50	12,01	5,31
FLOATING	3x2	MPa 5	mm 49	74	509,4	538,2	210	310	145
		Psi 725	inch 1,93	2,91	20,06	21,19	8,27	12,20	5,71
FLOATING	4x3	MPa 5	mm 74	95	549	577,8	255	520	190
		Psi 725	inch 2,91	3,74	21,61	22,75	10,04	20,47	7,48
FLOATING	6x4	MPa 5	mm 95	150	725,4	754,2	320	535	210
		Psi 725	inch 3,74	5,91	28,56	29,69	12,60	21,06	8,27
FLOATING	8x6	MPa 5	mm 150	201	903,6	932,2	380	-	250
		Psi 725	inch 5,91	7,91	35,57	36,70	14,96	-	9,84



DBB 600 FB

TYPE	INCH	PN	ØLW	ØLW1	C RF	C RTJ	ØG	H	I
FLOATING	1/2	MPa 10	mm 13	-	228	226	95	225	110
		Psi 1450	inch 0,51	-	8,98	8,90	3,74	8,86	4,33
FLOATING	3/4	MPa 10	mm 20	-	234	234	115	228	112
		Psi 1450	inch 0,79	-	9,21	9,21	4,53	8,98	4,41
FLOATING	1	MPa 10	mm 25	-	252	252	125	233	116
		Psi 1450	inch 0,98	-	9,92	9,92	4,92	9,17	4,57
FLOATING	1 1/2	MPa 10	mm 38	-	325	325	155	305	135
		Psi 1450	inch 1,50	-	12,80	12,80	6,10	12,01	5,31
FLOATING	2	MPa 10	mm 49	-	353	356	165	310	145
		Psi 1450	inch 1,93	-	13,90	14,02	6,50	12,20	5,71
FLOATING	3	MPa 10	mm 74	-	462	465	210	520	190
		Psi 1450	inch 2,91	-	18,19	18,31	8,27	20,47	7,48
FLOATING	4	MPa 10	mm 95	-	697	700	275	-	197
		Psi 1450	inch 3,74	-	27,44	27,56	10,83	-	7,76
FLOATING	6	MPa 10	mm 150	-	877	880	355	-	250
		Psi 1450	inch 5,91	-	34,53	34,65	13,98	-	9,84
TRUNNION	8	MPa 10	mm 201	-	1050	1053	420	-	290
		Psi 1450	inch 7,91	-	41,34	41,46	16,54	-	11,42
TRUNNION	10	MPa 10	mm 252	-	1259,2	1265,6	510	-	-
		Psi 1450	inch 9,92	-	49,57	49,83	20,08	-	-

DBB 600 RB

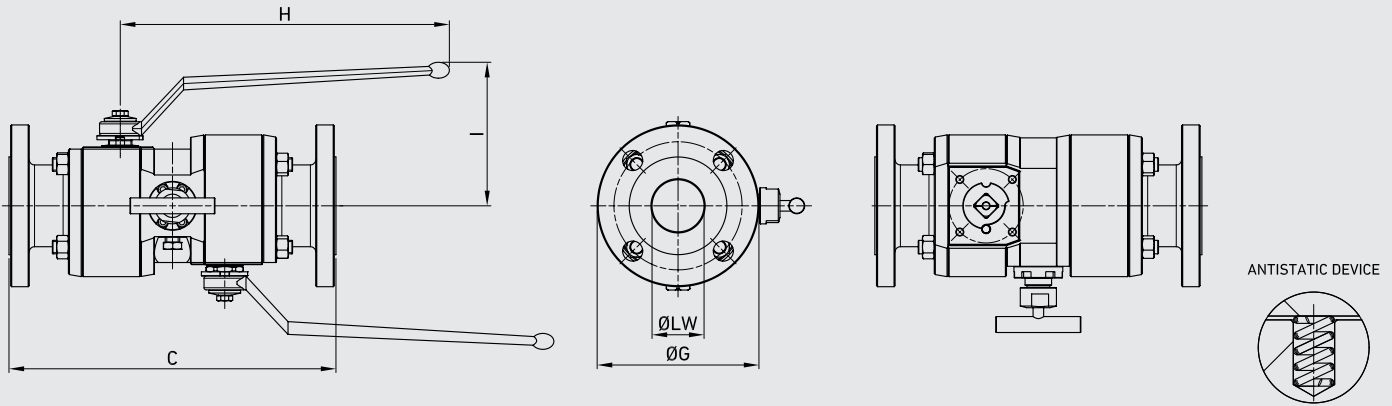
TYPE	INCH	PN	ØLW	ØLW1	C RF	C RTJ	ØG	H	I
FLOATING	3/4 x 1/2	MPa 10	mm 13	20	230	230	115	225	110
		Psi 1450	inch 0,51	0,79	9,06	9,06	4,53	8,86	4,33
FLOATING	1 x 3/4	MPa 10	mm 20	25	238	238	125	228	112
		Psi 1450	inch 0,79	0,98	9,37	9,37	4,92	8,98	4,41
FLOATING	1 1/2 x 1	MPa 10	mm 25	38	262	262	155	233	116
		Psi 1450	inch 0,98	1,50	10,31	10,31	6,10	9,17	4,57
FLOATING	2 x 1 1/2	MPa 10	mm 38	49	332	338	165	305	135
		Psi 1450	inch 1,50	1,93	13,07	13,31	6,50	12,01	5,31
FLOATING	3x2	MPa 10	mm 49	74	368	371	210	310	145
		Psi 1450	inch 1,93	2,91	14,49	14,61	8,27	12,20	5,71
FLOATING	4x3	MPa 10	mm 74	95	477	480	275	520	190
		Psi 1450	inch 2,91	3,74	18,78	18,90	10,83	20,47	7,48
FLOATING	6x4	MPa 10	mm 95	150	727	730	355	-	197
		Psi 1450	inch 3,74	5,91	28,62	28,74	13,98	-	7,76
FLOATING	8x6	MPa 10	mm 150	201	907	910	420	-	250
		Psi 1450	inch 5,91	7,91	35,71	35,83	16,54	-	9,84

DBB 900 FB

TYPE	INCH	PN	ØLW	ØLW1	CRF	CRTJ	ØG	H	I
FLOATING	1/2	MPa 15	mm 13	-	276	276	120	225	112
		Psi 2175	inch 0,51	-	10,87	10,87	4,72	8,86	4,41
FLOATING	3/4	MPa 15	mm 20	-	287	287	130	228	114
		Psi 2175	inch 0,79	-	11,30	11,30	5,12	8,98	4,49
FLOATING	1	MPa 15	mm 25	-	330	330	150	295	122
		Psi 2175	inch 0,98	-	12,99	12,99	5,91	11,61	4,80
FLOATING	1 1/2	MPa 15	mm 38	-	400	400	180	410	155
		Psi 2175	inch 1,50	-	15,75	15,75	7,09	16,14	6,10
FLOATING	2	MPa 15	mm 49	-	464	467	215	415	162
		Psi 2175	inch 1,93	-	18,27	18,39	8,46	16,34	6,38
FLOATING	3	MPa 15	mm 74	-	647	650	240	-	180
		Psi 2175	inch 2,91	-	25,47	25,59	9,45	-	7,09
FLOATING	4	MPa 15	mm 95	-	747	750	290	-	220
		Psi 2175	inch 3,74	-	29,41	29,53	11,42	-	8,66
FLOATING	6	MPa 15	mm 150	-	977	980	380	-	260
		Psi 2175	inch 5,91	-	38,46	38,58	14,96	-	10,24
TRUNNION	8	MPa 15	mm 201	-	1197	1200	470	-	300
		Psi 2175	inch 7,91	-	47,13	47,24	18,50	-	11,81
TRUNNION	10	MPa 15	mm 252	-	1340,8	1513,8	545	-	-
		Psi 2175	inch 9,92	-	52,79	59,60	21,46	-	-

DBB 900 RB

TYPE	INCH	PN	ØLW	ØLW1	CRF	CRTJ	ØG	H	I
FLOATING	3/4 x 1/2	MPa 15	mm 13	20	282	282	130	225	112
		Psi 2175	inch 0,51	0,79	11,10	11,10	5,12	8,86	4,41
FLOATING	1 x 3/4	MPa 15	mm 20	25	295	295	150	228	114
		Psi 2175	inch 0,79	0,98	11,61	11,61	5,91	8,98	4,49
FLOATING	1 1/2 x 1	MPa 15	mm 25	38	340	340	180	295	122
		Psi 2175	inch 0,98	1,50	13,39	13,39	7,09	11,61	4,80
FLOATING	2 x 1 1/2	MPa 15	mm 38	49	412	415	215	410	155
		Psi 2175	inch 1,50	1,93	16,22	16,34	8,46	16,14	6,10
FLOATING	3x2	MPa 15	mm 49	74	442	445	240	415	162
		Psi 2175	inch 1,93	2,91	17,40	17,52	9,45	16,34	6,38
FLOATING	4x3	MPa 15	mm 74	95	662	665	290	-	180
		Psi 2175	inch 2,91	3,74	26,06	26,18	11,42	-	7,09
FLOATING	6x4	MPa 15	mm 95	150	772	775	380	-	220
		Psi 2175	inch 3,74	5,91	30,39	30,51	14,96	-	8,66
TRUNNION	8x6	MPa 15	mm 150	201	1017	1020	470	-	260
		Psi 2175	inch 5,91	7,91	40,04	40,16	18,50	-	10,24



DBB 1500 FB

TYPE	INCH	PN	ØLW	ØLW1	C RF	C RTJ	ØG	H	I
FLOATING	1/2	MPa 25	mm 13	-	276	276	120	225	112
		Psi 3625	inch 0,51	-	10,87	10,87	4,72	8,86	4,41
FLOATING	3/4	MPa 25	mm 20	-	287	287	130	228	114
		Psi 3625	inch 0,79	-	11,30	11,30	5,12	8,98	4,49
FLOATING	1	MPa 25	mm 25	-	330	330	150	295	122
		Psi 3625	inch 0,98	-	12,99	12,99	5,91	11,61	4,80
FLOATING	1 1/2	MPa 25	mm 38	-	400	400	180	410	155
		Psi 3625	inch 1,50	-	15,75	15,75	7,09	16,14	6,10
FLOATING	2	MPa 25	mm 49	-	464	467	215	415	162
		Psi 3625	inch 1,93	-	18,27	18,39	8,46	16,34	6,38
FLOATING	3	MPa 25	mm 74	-	697	700	265	-	180
		Psi 3625	inch 2,91	-	27,44	27,56	10,43	-	7,09
FLOATING	4	MPa 25	mm 95	-	827	830	310	-	220
		Psi 3625	inch 3,74	-	32,56	32,68	12,20	-	8,66
FLOATING	6	MPa 25	mm 144	-	1084	1090	395	-	270
		Psi 3625	inch 5,67	-	42,68	42,91	15,55	-	10,63
TRUNNION	8	MPa 25	mm 192	-	1340	1350	485	-	310
		Psi 3625	inch 7,56	-	52,76	53,15	19,09	-	12,20
TRUNNION	10	MPa 25	mm 239	-	1585,6	1600	585	-	-
		Psi 3625	inch 9,41	-	62,43	62,99	23,03	-	-

DBB 1500 RB

TYPE	INCH	PN	ØLW	ØLW1	C RF	C RTJ	ØG	H	I
FLOATING	3/4 x 1/2	MPa 25	mm 13	20	282	282	130	225	112
		Psi 3625	inch 0,51	0,79	11,10	11,10	5,12	8,86	4,41
FLOATING	1 x 3/4	MPa 25	mm 20	25	295	295	150	228	114
		Psi 3625	inch 0,79	0,98	11,61	11,61	5,91	8,98	4,49
FLOATING	1 1/2 x 1	MPa 25	mm 25	38	340	340	180	295	122
		Psi 3625	inch 0,98	1,50	13,39	13,39	7,09	11,61	4,80
FLOATING	2 x 1 1/2	MPa 25	mm 38	49	412	415	215	410	155
		Psi 3625	inch 1,50	1,93	16,22	16,34	8,46	16,14	6,10
FLOATING	3x2	MPa 25	mm 49	74	737	740	265	415	162
		Psi 3625	inch 1,93	2,91	29,02	29,13	10,43	16,34	6,38
FLOATING	4x3	MPa 25	mm 74	95	894	900	310	-	180
		Psi 3625	inch 2,91	3,74	35,20	35,43	12,20	-	7,09
FLOATING	6x4	MPa 25	mm 95	144	1120	1130	395	-	220
		Psi 3625	inch 3,74	5,67	44,09	44,49	15,55	-	8,66
TRUNNION	8x6	MPa 25	mm 144	192	-	-	485	-	270
		Psi 3625	inch 5,67	7,56	-	-	19,09	-	10,63

DBB 2500 FB

TYPE	INCH	PN	ØLW	ØLW1	CRF	CRTJ	ØG	H	I
FLOATING	1/2	MPa 42	mm 13	-	291	291	135	225	112
		Psi 6090	inch 0,51	-	11,46	11,46	5,31	8,86	4,41
FLOATING	3/4	MPa 42	mm 20	-	300	300	140	228	114
		Psi 6090	inch 0,79	-	11,81	11,81	5,51	8,98	4,49
FLOATING	1	MPa 42	mm 25	-	350	350	160	295	122
		Psi 6090	inch 0,98	-	13,78	13,78	6,30	11,61	4,80
FLOATING	1 1/2	MPa 42	mm 38	-	565	565	205	-	100
		Psi 6090	inch 1,50	-	22,24	22,24	8,07	-	3,94
FLOATING	2	MPa 42	mm 42	-	652	655	235	-	125
		Psi 6090	inch 1,65	-	25,67	25,79	9,25	-	4,92
FLOATING	3	MPa 42	mm 62	-	864	870	305	-	190
		Psi 6090	inch 2,44	-	34,02	34,25	12,01	-	7,48
FLOATING	4	MPa 42	mm 87	-	990	1000	355	-	240
		Psi 6090	inch 3,43	-	38,98	39,37	13,98	-	9,45
FLOATING	6	MPa 42	mm 131	-	1317	1330	485	-	280
		Psi 6090	inch 5,16	-	51,85	52,36	19,09	-	11,02
TRUNNION	8	MPa 42	mm 179	-	1484	1500	550	-	380
		Psi 6090	inch 7,05	-	58,43	59,06	21,65	-	14,96
TRUNNION	10	MPa 42	mm 223	-	1905	1941	675	-	-
		Psi 6090	inch 8,78	-	75,00	76,42	26,57	-	-

DBB 2500 RB

TYPE	INCH	PN	ØLW	ØLW1	CRF	CRTJ	ØG	H	I
FLOATING	3/4 x 1/2	MPa 42	mm 13	20	294	294	140	225	112
		Psi 6090	inch 0,51	0,79	11,57	11,57	5,51	8,86	4,41
FLOATING	1 x 3/4	MPa 42	mm 20	25	310	310	160	228	114
		Psi 6090	inch 0,79	0,98	12,20	12,20	6,30	8,98	4,49
FLOATING	1 1/2 x 1	MPa 42	mm 25	38	370	373	205	295	122
		Psi 6090	inch 0,98	1,50	14,57	14,69	8,07	11,61	4,80
FLOATING	2 x 1 1/2	MPa 42	mm 38	42	577	580	235	-	100
		Psi 6090	inch 1,50	1,65	22,72	22,83	9,25	-	3,94
FLOATING	3x2	MPa 42	mm 42	62	694	700	305	-	125
		Psi 6090	inch 1,65	2,44	27,32	27,56	12,01	-	4,92
FLOATING	4x3	MPa 42	mm 62	87	890	900	355	-	190
		Psi 6090	inch 2,44	3,43	35,04	35,43	13,98	-	7,48
FLOATING	6x4	MPa 42	mm 87	131	1067	1080	485	-	240
		Psi 6090	inch 3,43	5,16	42,01	42,52	19,09	-	9,45
TRUNNION	8x6	MPa 42	mm 131	179	1384	1400	675	-	280
		Psi 6090	inch 5,16	7,05	54,49	55,12	26,57	-	11,02