



VU

CHECK VALVES

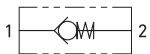
Edition. 21.1

CS Carbon Steel

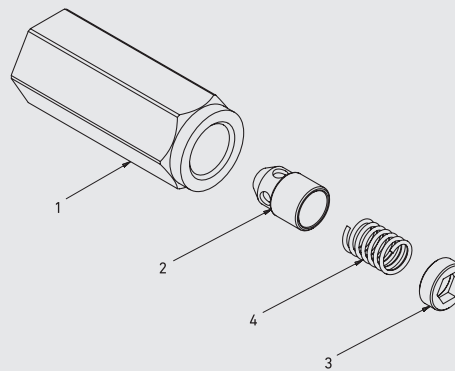
- Type: check valve
- Sizes: from DN6 up to DN50
- Ends: BSP-NPT-SAE
- Pressure: up to PN500
- Temp range: from -20°C to +100°C
- Treatment: Galvanized

SS Stainless Steel

- Type: check valve
- Sizes: from DN6 up to DN50
- Ends: BSP-NPT-SAE
- Pressure: up to PN500
- Temp range: from -30°C to +100°C



STANDARD COMPOSITION OF VALVE



POS	DESCRIPTION	Q.TY	CS	SS
			Carbon Steel	Stainless Steel
			MATERIAL	
1	Body	1	1,0737	1,4404
2	Poppet	1	1,4749	1,4305
3	Ring	1	1,0737	1,4305
4	Spring	1	1,0116	1,4310



CODE DESCRIPTION STRUCTURE

VU | **G1/2** | **SS**

Type and way of valve

VU check valves

Ends

GAS DIN/ ISO 228 BSP	NPT ANSI /ASME B1.20.1	SAE J1926-1
G 1/4	N 1/4	SAE4
G 3/8	N 3/8	SAE6
G 1/2	N 1/2	SAE8
G 3/4	N 3/4	SAE12
G 1	N 1	SAE16
G 1 1/4	N 1 1/4	
G 1 1/2	N 1 1/2	
G 2	N 2	

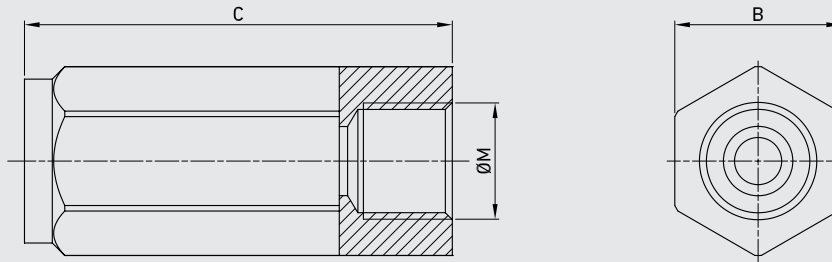
Material

- CS carbon steel
- SS stainless steel

*On request

- Special threads
- Pressure class up to PN500
- Spring closed: from 1BAR up to 8BAR

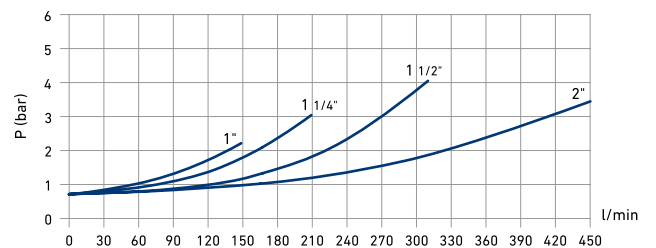
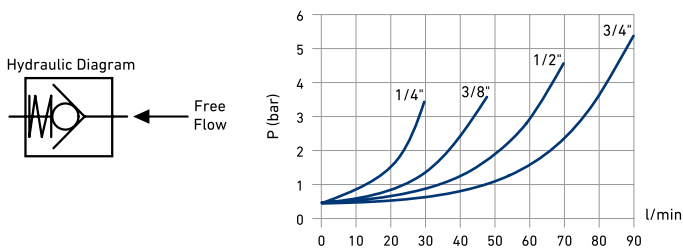
For further special requests please consult our technical/commercial service.



VU DIN ISO 228 BSP GAS

TYPE	DN	PN	MAX FLOW L/m	CRACKING PRESSURE	B	C	ØM	WEIGHT	CS	SS
									Carbon Steel	Stainless Steel
ITEM CODE										
VU G 1/4	6	MPa 50	15	MPa 0,04 0,07	mm 19	62	G 1/4	kg 0,11	GC2GGT150110000	GC2GGT150440000
		Psi 7250		Psi 5,8 10,15				lb 0,24		
VU G 3/8	10	MPa 50	30	MPa 0,04 0,07	mm 24	68	G 3/8	kg 0,2	GC2GGT250110000	GC2GGT250440000
		Psi 7250		Psi 5,8 10,15				lb 0,44		
VU G 1/2	13	MPa 50	50	MPa 0,04 0,07	mm 30	77	G 1/2	kg 0,35	GC2GGT350110000	GC2GGT350440000
		Psi 7250		Psi 5,8 10,15				lb 0,77		
VU G 3/4	20	MPa 42	90	MPa 0,04 0,07	mm 36	88	G 3/4	kg 0,53	GC2GGT440110000	GC2GGT440440000
		Psi 6090		Psi 5,8 10,15				lb 1,17		
VU G 1	25	MPa 42	150	MPa 0,04 0,07	mm 41	105	G 1	kg 0,75	GC2GGT530110000	GC2GGT530440000
		Psi 6090		Psi 5,8 10,15				lb 1,65		
VU G 1 1/4	32	MPa 35	200	MPa 0,04 0,07	mm 55	135	G 1 1/4	kg 1,81	GC2GGT630110000	GC2GGT630440000
		Psi 5075		Psi 5,8 10,15				lb 3,99		
VU G 1 1/2	40	MPa 35	300	MPa 0,04 0,07	mm 60	145	G 1 1/2	kg 2,2	GC2GGT730110000	GC2GGT730440000
		Psi 5075		Psi 5,8 10,15				lb 4,85		
VU G 2	50	MPa 35	430	MPa 0,04 0,07	mm 75	175	G 2	kg 4,17	GC2GGT830110000	GC2GGT830440000
		Psi 5075		Psi 5,8 10,15				lb 9,19		

PRESSURE DROP CURVES



VU ANSI/ASME B1.20.1 NPT

											CS Carbon Steel	SS Stainless Steel
TYPE	DN	PN	MAX FLOW L/m	CRACKING PRESSURE			B	C	ØM	WEIGHT	ITEM CODE	
VU N 1/4	6	MPa 50	15	MPa 0,04	0,07	mm 19	62	N 1/4		kg 0,11	GC2NNT150110000	GC2NNT150440000
		Psi 7250		Psi 5,8	10,15	inch 2,44	lb 0,24					
VU N 3/8	10	MPa 50	30	MPa 0,04	0,07	mm 24	68	N 3/8		kg 0,2	GC2NNT250110000	GC2NNT250440000
		Psi 7250		Psi 5,8	10,15	inch 2,68	lb 0,44					
VU N 1/2	13	MPa 50	50	MPa 0,04	0,07	mm 30	77	N 1/2		kg 0,35	GC2NNT350110000	GC2NNT350440000
		Psi 7250		Psi 5,8	10,15	inch 3,03	lb 0,77					
VU N 3/4	20	MPa 42	90	MPa 0,04	0,07	mm 36	88	N 3/4		kg 0,53	GC2NNT440110000	GC2NNT440440000
		Psi 6090		Psi 5,8	10,15	inch 3,46	lb 1,17					
VU N 1	25	MPa 42	150	MPa 0,04	0,07	mm 41	105	N 1		kg 0,75	GC2NNT530110000	GC2NNT530440000
		Psi 6090		Psi 5,8	10,15	inch 4,13	lb 1,65					
VU N 1 1/4	32	MPa 35	200	MPa 0,04	0,07	mm 55	135	N 1 1/4		kg 1,81	GC2NNT630110000	GC2NNT630440000
		Psi 5075		Psi 5,8	10,15	inch 5,31	lb 3,99					
VU N 1 1/2	40	MPa 35	300	MPa 0,04	0,07	mm 60	145	N 1 1/2		kg 2,2	GC2NNT730110000	GC2NNT730440000
		Psi 5075		Psi 5,8	10,15	inch 5,71	lb 4,85					
VU N 2	50	MPa 35	430	MPa 0,04	0,07	mm 75	175	N 2		kg 4,17	GC2NNT830110000	GC2NNT830440000
		Psi 5075		Psi 5,8	10,15	inch 6,89	lb 9,19					

VU SAE J1926-1

											CS Carbon Steel	SS Stainless Steel
TYPE	DN	PN	MAX FLOW L/m	CRACKING PRESSURE			B	C	ØM	WEIGHT	ITEM CODE	
VU SAE4	6	MPa 50	15	MPa 0,04	0,07	mm 19	62	N 1/4		kg 0,11	GC2EEE050110000	GC2EEE050440000
		Psi 7250		Psi 5,8	10,15	inch 2,44	lb 0,24					
VU SAE6	10	MPa 50	30	MPa 0,04	0,07	mm 24	68	N 3/8		kg 0,2	GC2EEE150110000	GC2EEE150440000
		Psi 7250		Psi 5,8	10,15	inch 2,68	lb 0,44					
VU SAE8	13	MPa 50	50	MPa 0,04	0,07	mm 30	77	N 1/2		kg 0,35	GC2EEE250110000	GC2EEE250440000
		Psi 7250		Psi 5,8	10,15	inch 3,03	lb 0,77					
VU SAE12	20	MPa 42	90	MPa 0,04	0,07	mm 36	88	N 3/4		kg 0,53	GC2EEE340110000	GC2EEE340440000
		Psi 6090		Psi 5,8	10,15	inch 3,46	lb 1,17					
VU SAE16	25	MPa 42	150	MPa 0,04	0,07	mm 41	105	N 1		kg 0,75	GC2EEE430110000	GC2EEE430440000
		Psi 6090		Psi 5,8	10,15	inch 4,13	lb 1,65					