



GE5

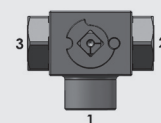
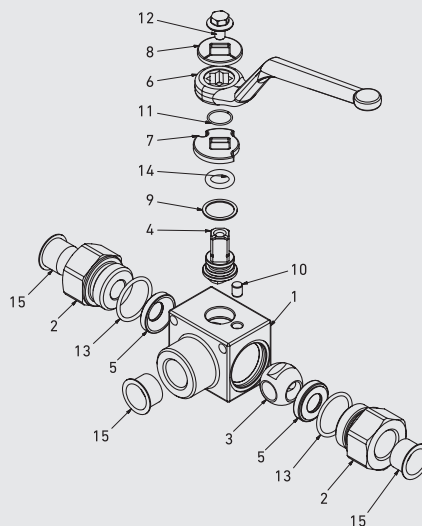
3-WAY HIGH PRESSURE BALL VALVES

Edition. 21.0

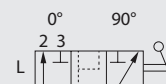
CS Carbon Steel

- Type: ball valve 3 way
- Sizes: from DN6 up to DN13
- Ends: BSP-NPT-SAE
- Pressure: up to PN500
- Temp range: from -20°C to +100°C
- Treatment: Galvanized

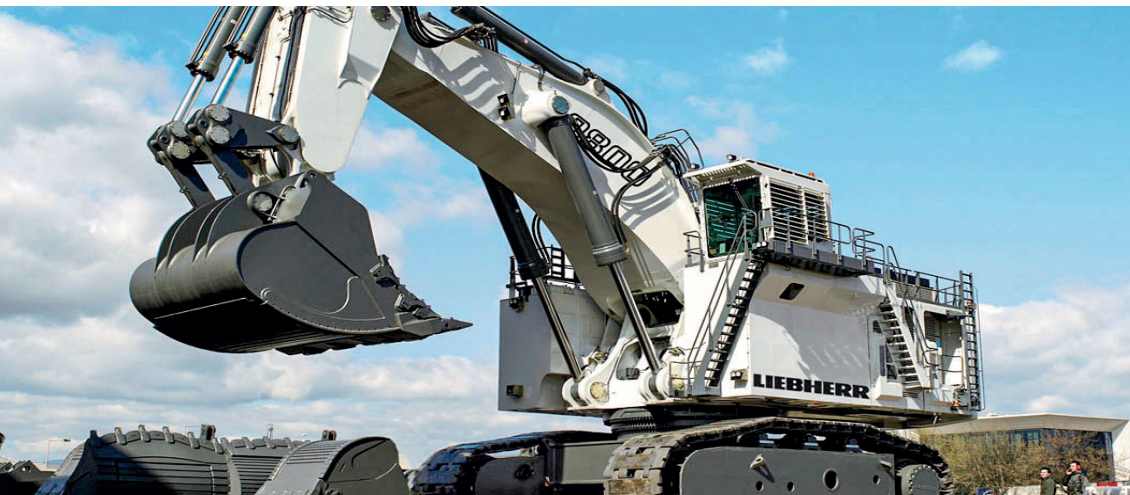
STANDARD COMPOSITION OF VALVE



WARNING!
Pressure inlet only from center port 1



POS	DESCRIPTION	Q.TY	MATERIAL
			CS Carbon Steel
1	Body	1	1,0737
2	Adapter	2	1,0737
3	Ball	1	1,0737
4	Stem	1	1,0737
5	Ball seat	2	POM
6	Handle	1	ZINC
7	Washer	1	1,0116
8	Washer	1	1,0116
9	Stem ring	1	POM
10	Pin	1	1,0737
11	Seeger	1	1,4404
12	Adapter o-ring	2	NBR
13	Stem o-ring	1	NBR
14	Screw	1	Din 6921 8.8
15	Caps	3	PVC



SMALLER DESIGN

CODE DESCRIPTION STRUCTURE

GE5	G3/8	DN10	1	1	1	1	A	B
-----	------	------	---	---	---	---	---	---

Type and way of valve

GE5 3-way

Ends

GAS DIN/ ISO 228 BSP	NPT ANSI /ASME B1.20.1	SAE J1926-1
G 1/4	N 1/4	SAE4
G 3/8	N 3/8	SAE6
G 1/2	N 1/2	SAE8

Size

from DN6 to DN13

Body Material

● 1 = 1,0737

Adapter material

● 1 = 1,0737

Stem material

● 1 = 1,0737 4 = 1,4404*

Ball Material

● 1 = 1,0737 4 = 1,4404*

Seat material

A = POM

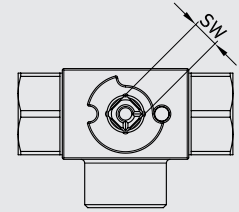
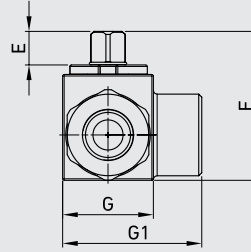
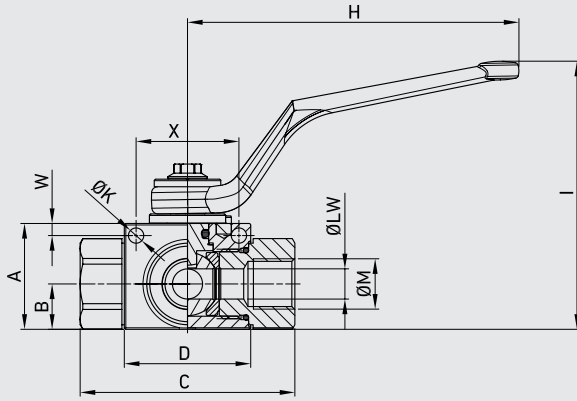
Seal material

B = NBR

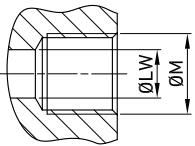
***On request**

- Reduced bore
- Special threads
- Pressure class up to PN50 Mpa
- Pneumatic and electrical actuator
- Security block
- Locking device

For further special requests please consult our technical/commercial service.



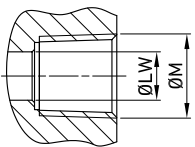
SMALLER DESIGN



GE5 DIN/ISO 228 BSP

TYPE	DN	PN		A	B	C	D	E	F	G	G1	H	I	ØM	ØK	W	X	SW	ØLW	WEIGHT	CS Carbon Steel		
																					ITEM CODE		
GE5 G 1/4	6	MPa	50	mm	33	14,3	69	40,4	11,1	47,15	26	42	110	87	G 1/4	5,10	4	34	9	6	kg	0,411	GE5GGT15011A000
		Psi	7250	inch	1,30	0,56	2,72	1,59	0,44	1,86	1,02	1,65	4,33	3,43		0,20	0,16	1,34	0,35	0,24	lb	0,91	
GE5 G 3/8	10	MPa	50	mm	35	15	71	41,8	11,1	49,15	30	46	110	89	G 3/8	5,1	4	34	9	10	kg	0,512	GE5GGT25011A000
		Psi	7250	inch	1,38	0,59	2,80	1,65	0,44	1,94	1,18	1,81	4,33	3,50		0,20	0,16	1,34	0,35	0,39	lb	1,13	
GE5 G 1/2	13	MPa	50	mm	40	18,3	83	44,4	11,1	54,15	35	54	110	94	G 1/2	5,1	4	36	9	13	kg	0,72	GE5GGT35011A000
		Psi	7250	inch	1,57	0,72	3,27	1,75	0,44	2,13	1,38	2,13	4,33	3,70		0,20	0,16	1,42	0,35	0,51	lb	1,59	

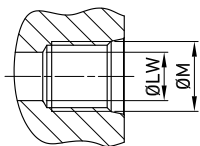
FIXING HOLES INCLUDED



GE5 ANSI/ASME B1.20.1 NPT

TYPE	DN	PN		A	B	C	D	E	F	G	G1	H	I	ØM	ØK	W	X	SW	ØLW	WEIGHT	CS Carbon Steel		
																					ITEM CODE		
GE5 N 1/4	6	MPa	50	mm	33	14,3	69	40,4	11,1	47,15	26	42	110	87	N 1/4	5,10	4	34	9	6	kg	0,411	GE5NNT15011A000
		Psi	7250	inch	1,30	0,56	2,72	1,59	0,44	1,86	1,02	1,65	4,33	3,43		0,20	0,16	1,34	0,35	0,24	lb	0,91	
GE5 N 3/8	10	MPa	50	mm	35	15	71	41,8	11,1	49,15	30	46	110	89	N 3/8	5,1	4	34	9	10	kg	0,512	GE5NNT25011A000
		Psi	7250	inch	1,38	0,59	2,80	1,65	0,44	1,94	1,18	1,81	4,33	3,50		0,20	0,16	1,34	0,35	0,39	lb	1,13	
GE5 N 1/2	13	MPa	50	mm	40	18,3	83	44,4	11,1	54,15	35	54	110	94	N 1/2	5,1	4	36	9	13	kg	0,72	GE5NNT35011A000
		Psi	7250	inch	1,57	0,72	3,27	1,75	0,44	2,13	1,38	2,13	4,33	3,70		0,20	0,16	1,42	0,35	0,51	lb	1,59	

FIXING HOLES INCLUDED


GE5 SAE J1926-1

CS

Carbon Steel

TYPE	DN	PN	A	B	C	D	E	F	G	G1	H	I	ØM	ØK	W	X	SW	ØLW	WEIGHT	ITEM CODE	
GE5 SAE4	6	MPa 50	mm	33	14,3	69	40,4	11,1	47,15	26	42	110	87	7/16	5,10	4	34	9	6	kg 0,411	GE5EEE05011A000
		Psi 7250	inch	1,30	0,56	2,72	1,59	0,44	1,86	1,02	1,65	4,33	3,43	UNF	0,20	0,16	1,34	0,35	0,24	lb 0,91	
GE5 SAE6	10	MPa 50	mm	35	15	71	41,8	10,8	49,15	30	46	110	89	9/16	5,1	4	34	9	10	kg 0,512	GE5EEE15011A000
		Psi 7250	inch	1,38	0,59	2,80	1,65	0,43	1,94	1,18	1,81	4,33	3,50	UNF	0,20	0,16	1,34	0,35	0,39	lb 1,13	
GE5 SAE8	13	MPa 50	mm	40	18,3	83	44,4	11,1	54,15	35	54	110	94	3/4	5,1	4	36	9	13	kg 0,72	GE5EEE25011A000
		Psi 7250	inch	1,57	0,72	3,27	1,75	0,44	2,13	1,38	2,13	4,33	3,70	UNF	0,20	0,16	1,42	0,35	0,51	lb 1,59	

 FIXING HOLES
INCLUDED